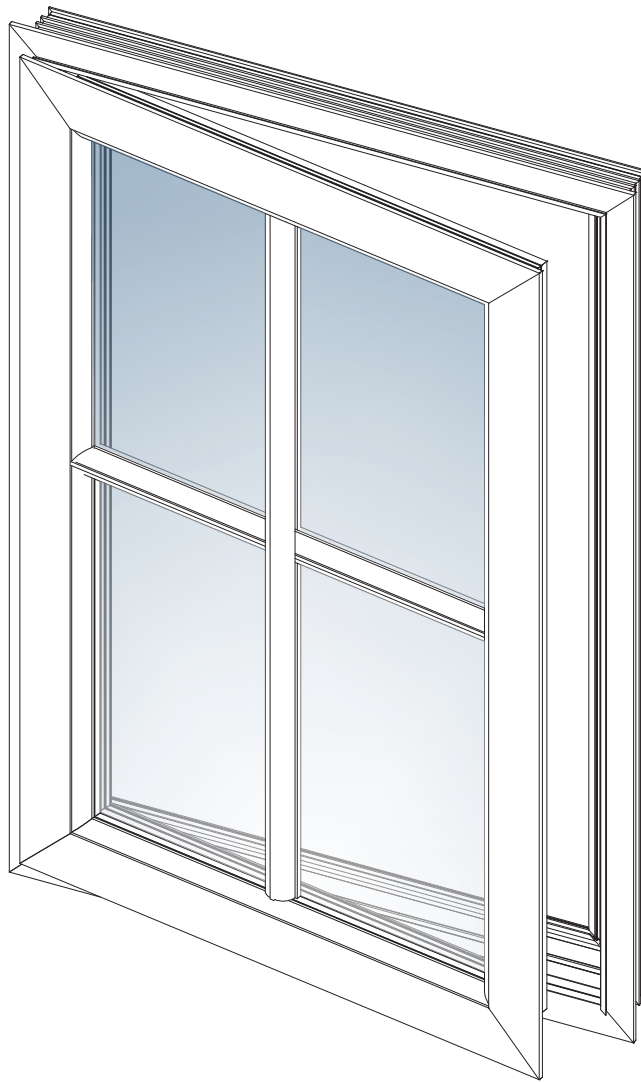


HC-200

CASEMENT WINDOW



DESCRIPTION

HC-200 system is a impact rated CASEMENT WINDOW for laminated and insulating laminated glass. This product is available in casement configurations with decorative muntins.

SYSTEM DESCRIPTION :

Large and small missile impact.
Frame depth: 2 1/2"
Frame sight line: 3 5/8"
Designed for 1/2" laminated glass and 1 1/16" Insulating laminated glass
Design Load: -210 +150 PSF (see NOA charts for specific design load capacity).
Water Infiltration: 22.5 psf
Air infiltration: 6.24 psf
Maximum size: 36" (Width) x 84" (Height), 40" (Width) x 78" (Height). Check NOA for specific sizes.

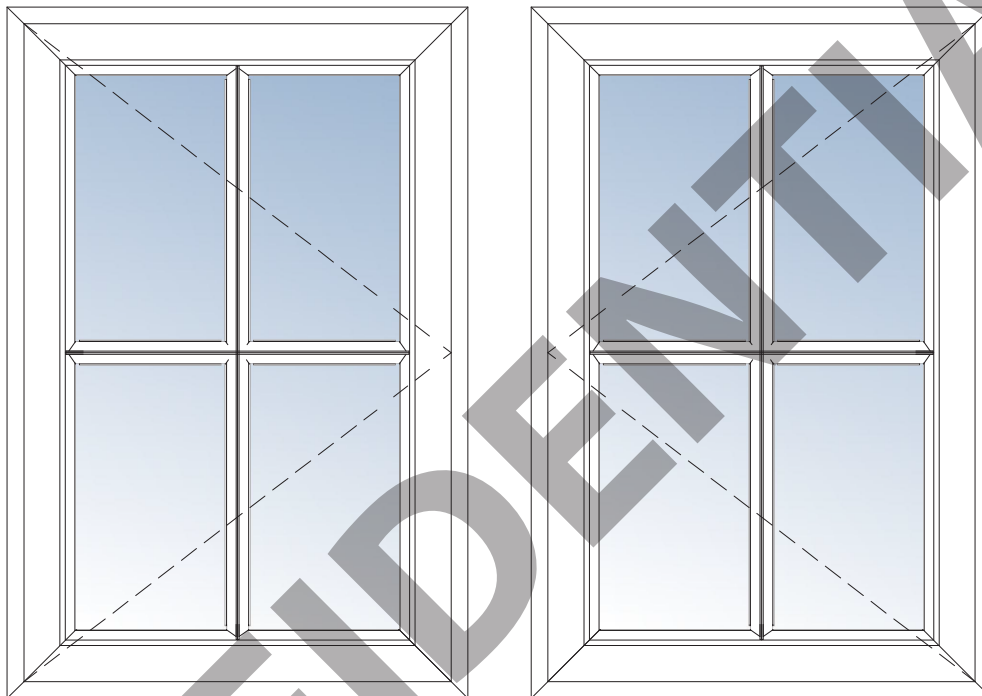
FEATURES:

Heavy duty stainless steel four bar hinge.
Fully weatherstripped.
Anodized, painted or wood grain finishes available.
Decorative muntins.

BENEFITS:

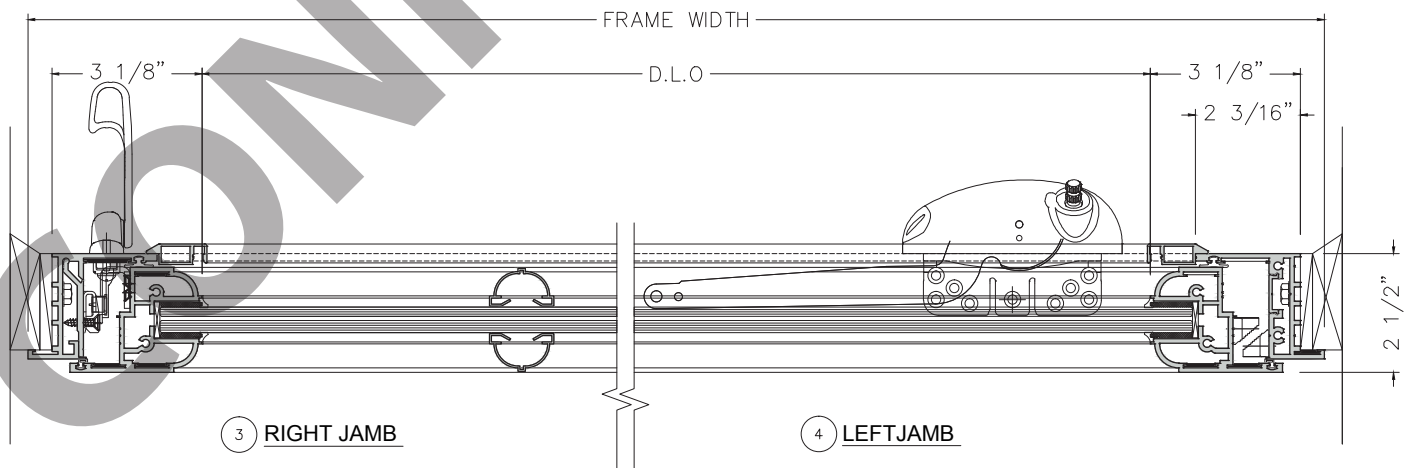
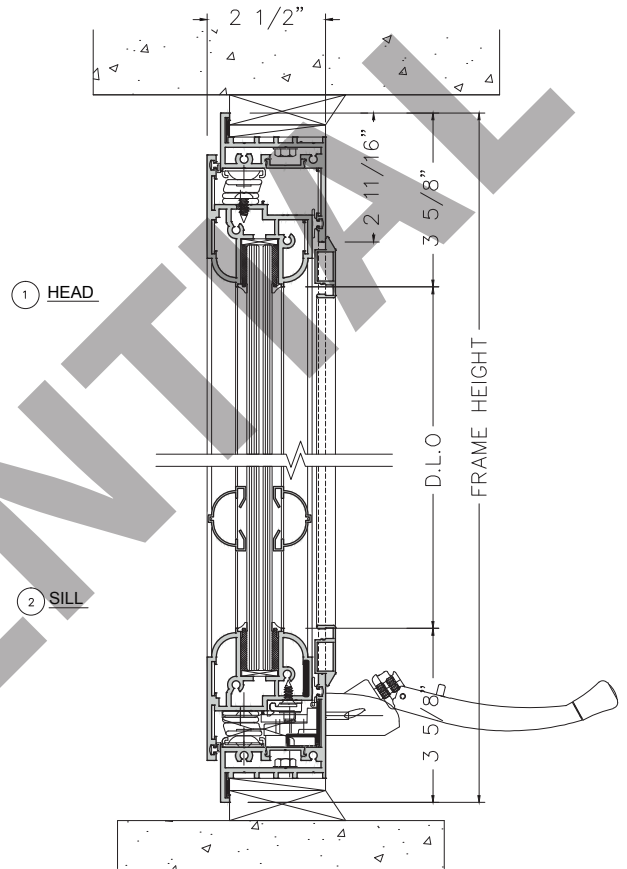
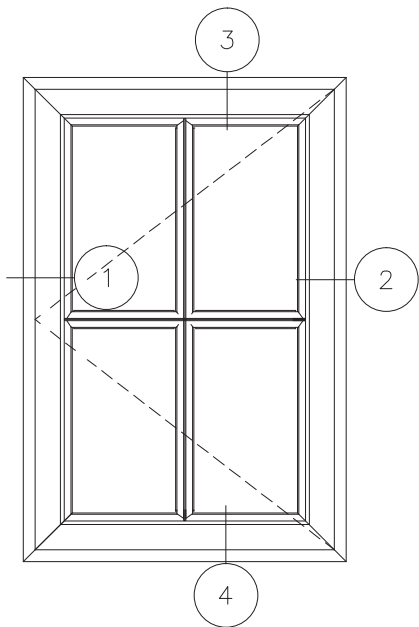
Enhanced resistance to air and water infiltration.
Enhanced durability.
Easy manipulation and installation.

CONFIGURATIONS



CASEMENT

DETAILS



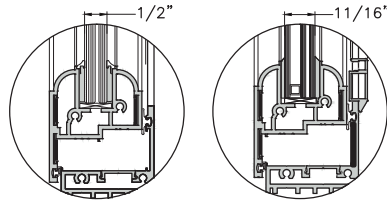
GLASS

LAMINATED GLASS: 1/4" GLASS + .090" INTERLAYER + 3/16" GLASS (LMI), 1/4" GLASS + .060" INTERLAYER + 3/16" GLASS (SMI).

INSULATING LAMINATED: 1/8" GLASS + 1/4" AIR SPACER + 1/8" GLASS + .090" INTERLAYER + 1/8" GLASS.

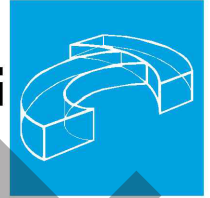
FINISHES

PAINT
SERIGRAPHY
DIGITAL PRINTING



For more information about glass condition and finishes, consult TECNOGLASS ® .

TECNOGLASS



ALUMINUM

ALLOY 6063-T6
ALLOY 6005-T5

For more information about aluminum and finishes consult ALUTIONS ® .



SILICONE

APPROVED SILICONE SEALS:

WEATHERPROOFING SILICONE:

Used to seal profile joints to avoid air and water infiltration.

Dowcorning 791(Black-White)

STRUCTURAL SILICONE:

Besides acting as a sealant it is capable to support high loads. This silicone is commonly used to support the glass in facades and hurricane resistant products.

Dowcorning 995/795